

Project number: 15-101

Customer name:

Plant location:

Elektrivarustus
Kivitöötlusseade
Kivitöötlusseadme elektrivarustus

Teostusjoonised

Designed by: V. Ott

Approved by: V. Ott

Tallinn
2015

Elektrivarustus

Project references 3

Power supply 4

Stone trommel 5

Vibrator 6

Device quantities 8

Cable quantities 12

Cables list 14

User manual 16

Projekti viited

Viite tähistus	Selgitus
+F1 +AK_KT +AK_KT.U +JK_V01	Periphery Stone tumbling barrel cabinet Door of stone trumbling barrel cabinet Distribution cabinet JK_V01

Project: Elektrivarustus

Project no.: 15-101

Drawing no.: 15-101-E1



Customer:

Stadium: Teostusjoonised

Object: Kivitöötlusseade

Designer: V. Ott

Drawing: Kivitöötlusseadme elektrivarustus

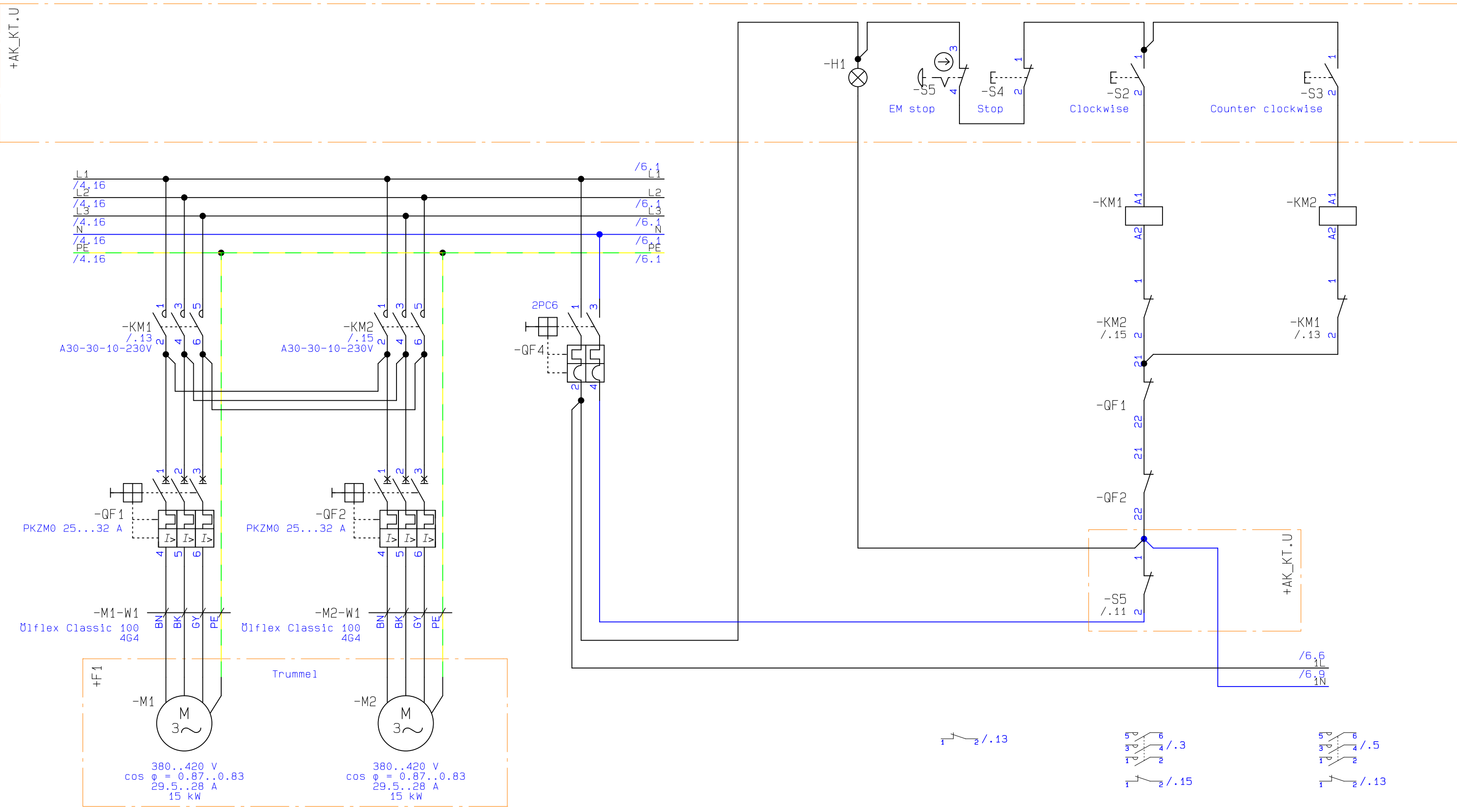
Approved by: V. Ott

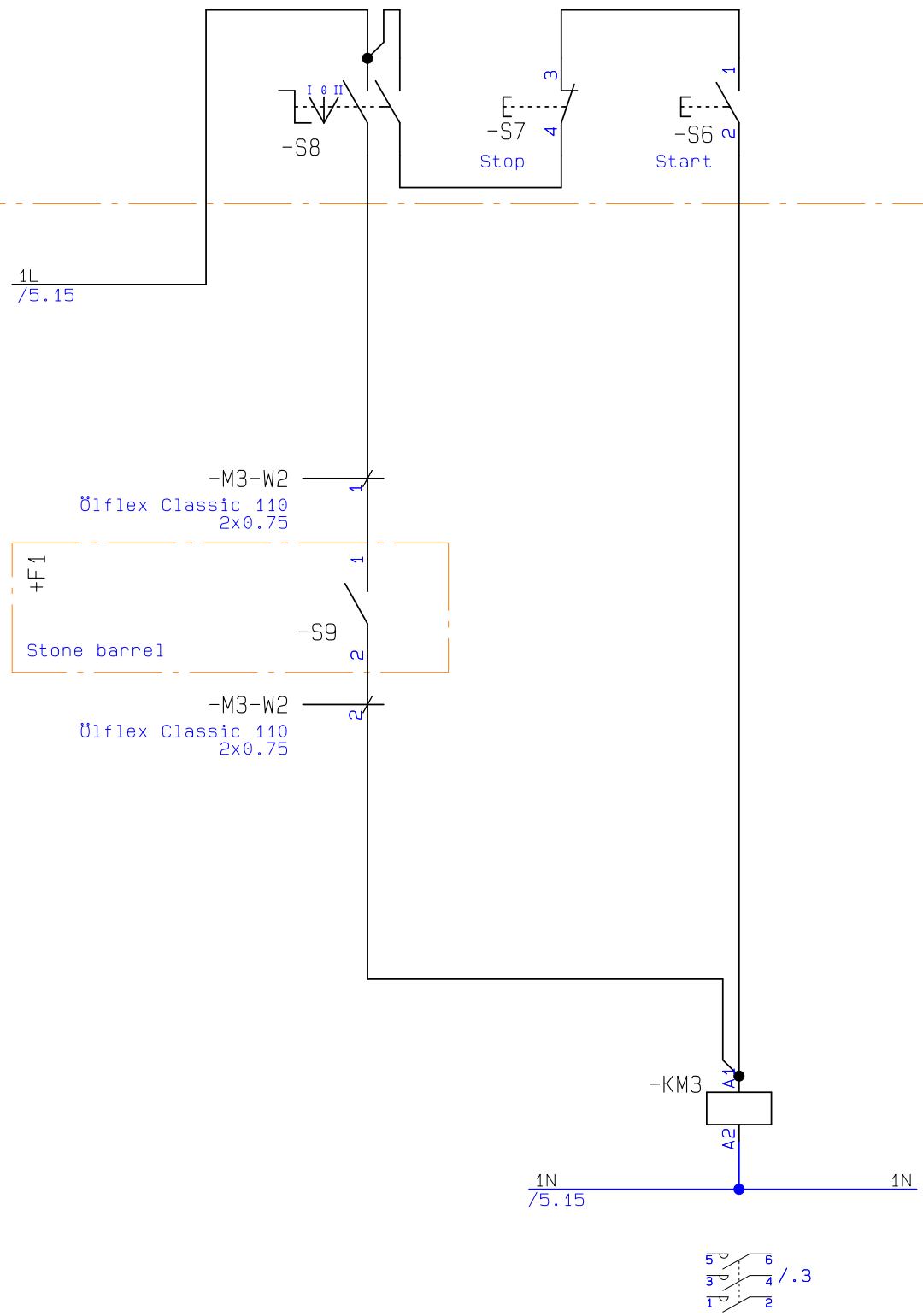
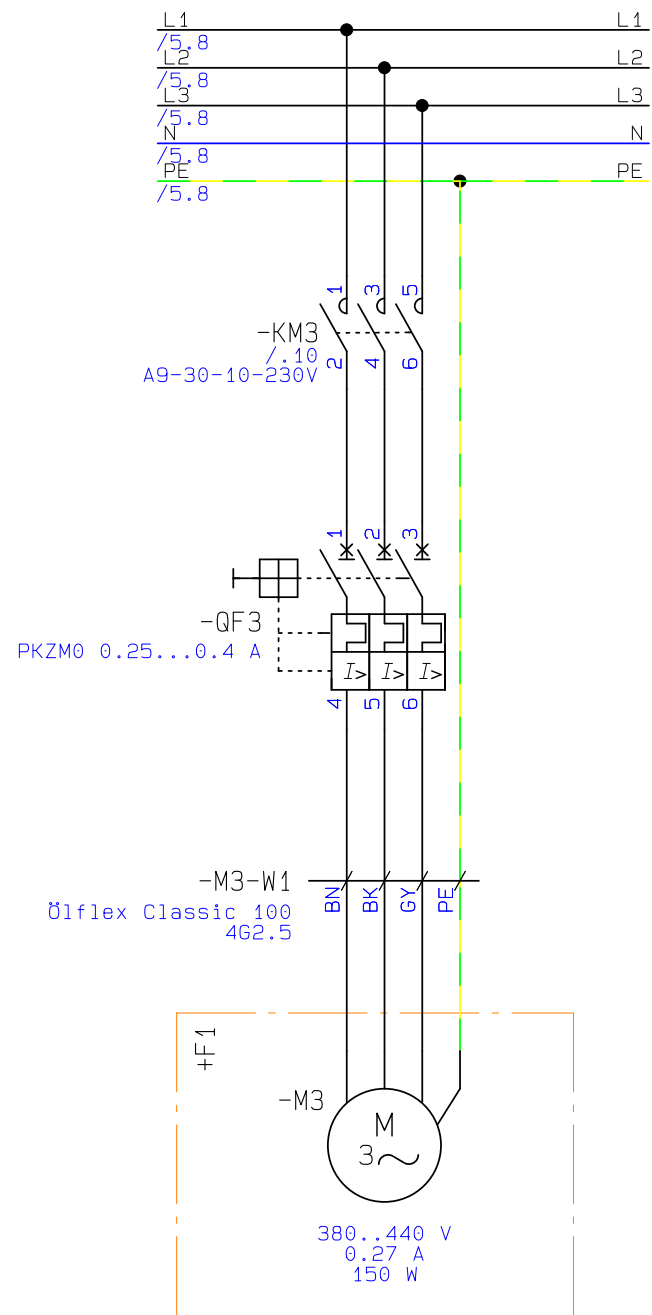
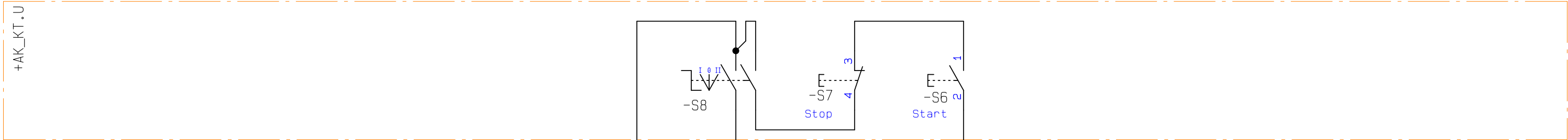
Page: Project references

Page: 3

Pages: 16







Device quantities

Pos.	Manufacturer	Type	Part no.	Description	Quantity
1	ABB	OXF6X210	1SCA022295R60	Shaft diameter 6mm for OT160...250E_C series external handle, l = 210mm	2
2	ABB	OHB45J6	1SCA022594R71	Handle for OT16F...OT125F series switches, BK-RD-YE, 45mm, IP65, spindle 6mm	1
3	Eaton	NHI11-PKZ0	072896	Side Mount Aux Contact for PKZM0, 1NC + 1NO	2
4	General Electric	2PC6	674633		1
5	Eaton	PKZM0 0.25...0.4 A	677061	Motor Protection Circuit Breaker, 0.25...0.4 A, 3P, 60 kA, 690 V	1
6	Eaton	PKZM0 25...32 A	8661329	Motor Protection Circuit Breaker, 25...32 A, 3P, 60 kA, 690 V	2
7	ABB	A9-30-10-230V	3471522031884	Contactora, 3POL, 4KW, 230V	1
8	ABB	A30-30-10-230V	3471522071880	Contactora, 3POL, 15KW, 230V	2
9	ABB	OT100F3	6417019391359	Switch, disconnectora, 3P, 100A	1



Project: Elektrivarustus

Drawing: Kivitöötlusseadme elektrivarustus

Designer: V. Ott

Project no.: 15-101

Customer:

Page: Device quantities

Approved: V. Ott

Drawing no.: 15-101-E1

Page: 8

Rev: A

Object: Kivitöötlusseade

Pages: 16

Stadium: Teostusjooonised

Device list

Pos.	Component	Manufacturer	Part no.	Type	Description	Position
1	+AK_KT -KM1	ABB	3471522071880	A30-30-10-230V	Contactora, 3POL, 15KW, 230V	/5.13
2	+AK_KT -KM2	ABB	3471522071880	A30-30-10-230V	Contactora, 3POL, 15KW, 230V	/5.5
3	+AK_KT -KM3	ABB	3471522031884	A9-30-10-230V	Contactora, 3POL, 4KW, 230V	/6.10
4	+AK_KT -QF1	Eaton	072896	NHI11-PKZ0	Side Mount Aux Contact for PKZM0, 1NC + 1NO	/5.13
5	+AK_KT -QF2	Eaton	072896	NHI11-PKZ0	Side Mount Aux Contact for PKZM0, 1NC + 1NO	/5.13
6	+AK_KT -QF3	Eaton	677061	PKZM0 0.25...0.4 A	Motor Protection Circuit Breaker, 0.25...0.4 A, 3P, 60 kA, 690 V	/6.2
7	+AK_KT -S1	ABB	1SCA022295R60	OSP6X210	Shaft diameter 6mm for OT160...250E_C series external handle, l = 210mm	



Project: Elektrivarustus

Drawing: Kivitöötlusseadme elektrivarustus

Designer: V. Ott

Project no.: 15-101

Customer:

Page: Device list

Approved: V. Ott

Drawing no.: 15-101-E1

Page: 10

Rev: A

Object: Kivitöötlusseade

Pages: 16

Stadium: Teostusjoonised

Cable quantities

Pos.	Manufacturer	Type	Part no.	Description	Quantity
1	Nexans	Ölflex Classic 110 2x0.75	1119802	Single-core non-sheathed cable for general purposes, 80°C, 2x0.75	8
2	Nexans	Ölflex Classic 100 4G2.5	00100883	Single-core non-sheathed cable for general purposes, 80°C, 4G2.5	6
3	Nexans	Ölflex Classic 100 4G4	00101013	Single-core non-sheathed cable for general purposes, 80°C, 4G4	13
4	Nexans	Ölflex Classic 100 5G25	00101163	Single-core non-sheathed cable for general purposes, 80°C, 5G25	10



Project: Elektrivarustus

Drawing: Kivitöötlusseadme elektrivarustus

Designer: V. Ott

Project no.: 15-101

Customer:

Page: Cable quantities

Approved: V. Ott

Drawing no.: 15-101-E1

Object: Kivitöötlusseade

Page: 12

Rev: A

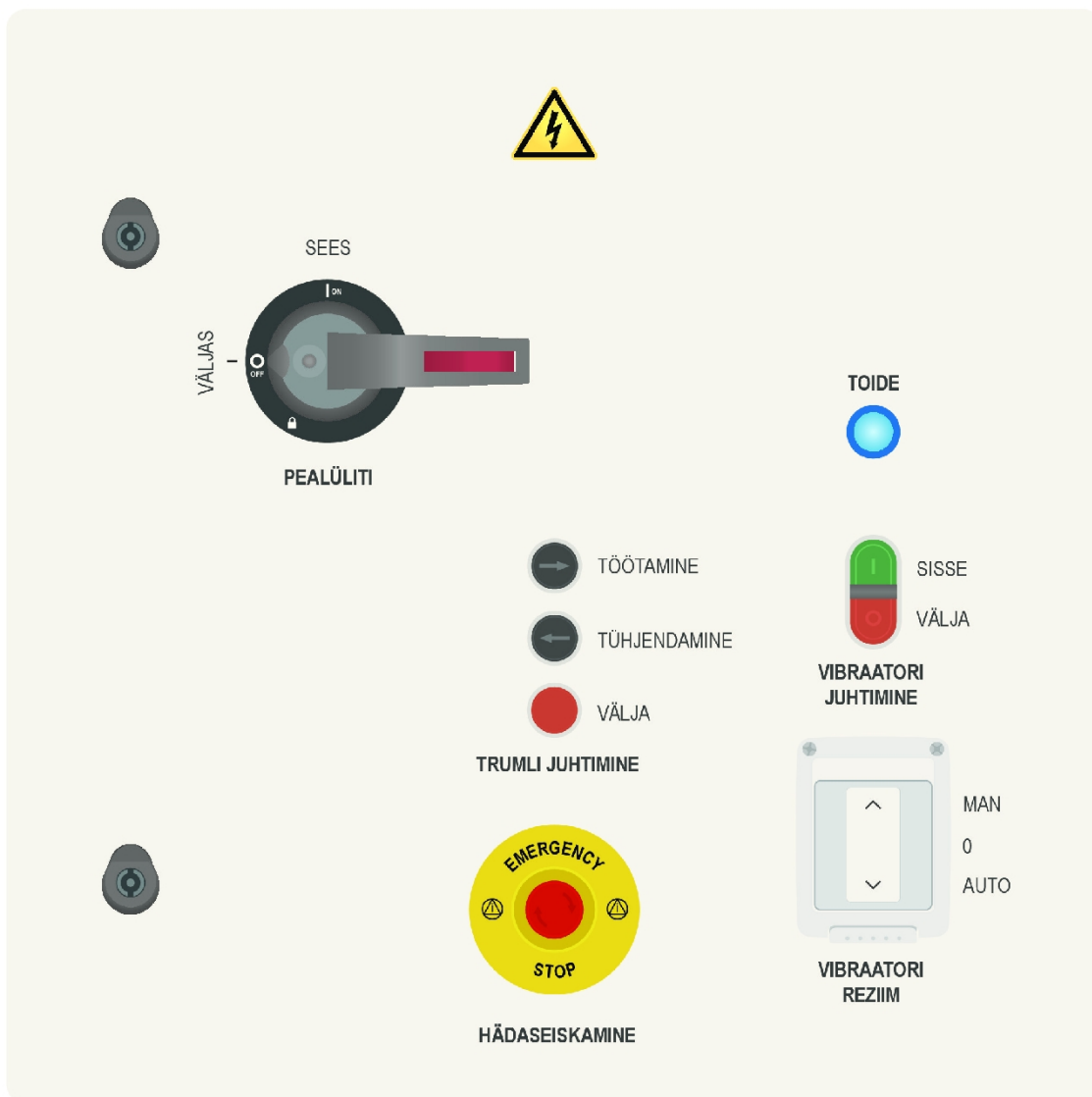
Pages: 16

Stadium: Teostusjoonised

Cables list

Pos.	Cable marking	Conductor	Type	From			To			Length (m)
1	-AK-KT-W1	BK	Ölflex Classic 100 5G25	+AK_KT	+AK_KT-S1	4T1	+JK_V01	+JK_V01-S2	3	10
2	-AK-KT-W1	BN	Ölflex Classic 100 5G25	+AK_KT	+AK_KT-S1	2T1	+JK_V01	+JK_V01-S2	1	10
3	-AK-KT-W1	BU	Ölflex Classic 100 5G25	+JK_V01	+JK_V01-S2	2	+JK_V01	+JK_V01-S2	1	10
4	-AK-KT-W1	GY	Ölflex Classic 100 5G25	+AK_KT	+AK_KT-S1	6T1	+JK_V01	+JK_V01-S2	5	10
5	-M1-W1	BK	Ölflex Classic 100 4G4	+AK_KT	+AK_KT-QF1	5	+F1	+F1-M1	2	5
6	-M1-W1	BN	Ölflex Classic 100 4G4	+AK_KT	+AK_KT-QF1	4	+F1	+F1-M1	1	5
7	-M1-W1	GY	Ölflex Classic 100 4G4	+AK_KT	+AK_KT-QF1	6	+F1	+F1-M1	3	5
8	-M2-W1	BK	Ölflex Classic 100 4G4	+AK_KT	+AK_KT-QF2	5	+F1	+F1-M2	2	8
9	-M2-W1	BN	Ölflex Classic 100 4G4	+AK_KT	+AK_KT-QF2	4	+F1	+F1-M2	1	8
10	-M2-W1	GY	Ölflex Classic 100 4G4	+AK_KT	+AK_KT-QF2	6	+F1	+F1-M2	3	8
11	-M2-W1	PE	Ölflex Classic 100 4G4	+F1	+F1-M1	4	+F1	+F1-M2	4	8
12	-M3-W1	BK	Ölflex Classic 100 4G2.5	+AK_KT	+AK_KT-QF3	5	+F1	+F1-M3	2	6
13	-M3-W1	BN	Ölflex Classic 100 4G2.5	+AK_KT	+AK_KT-QF3	4	+F1	+F1-M3	1	6
14	-M3-W1	GY	Ölflex Classic 100 4G2.5	+AK_KT	+AK_KT-QF3	6	+F1	+F1-M3	3	6
15	-M3-W1	PE	Ölflex Classic 100 4G2.5	+F1	+F1-M1	4	+F1	+F1-M3	4	6
16	-M3-W2	1	Ölflex Classic 110 2x0.75	+AK_KT.U	+AK_KT.U-S8	2	+F1	+F1-S9	1	8
17	-M3-W2	2	Ölflex Classic 110 2x0.75	+F1	+F1-S9	2	+AK_KT	+AK_KT-KM3	A1	8

User manual



ELEKTRITARVITI ÜHENDAMINE

- Pealüli sees (ON) asendis on elektritarviti pingestatud ja remonditööde tegemine keelatud.
- Pealüli väljas (OFF) asendis ei ole elektritarviti pingestatud.
- Pealüli väljas (OFF) asendis on võimalik paigaldada täiendav lukk, et vältida hooldus ja remonditööde ajal elektritarviti ekslikku pingestamist.

RIKKED

- Valgusindikatsiooni mittehelendumisel on tegemist juhtimiskilbi abipinge rikkega
- Liigvoolu kaitselüliti rakendumisel (OFF) on tegemist elektriseadme rikkega.
- Kilbi kest peab olema kinnitskruvidega suletud ja kesta avamine on keelatud

* Seadme välise kahjustuse olemasolul või rikke esinemisel helista elektrikule või käidukorraldajale

Project: Elektrivarustus

Project no.: 15-101

Drawing no.: 15-101-E1



Customer:

Object: Kivitööluseseade

Drawing: Kivitööluseseadme elektrivarustus

Page: User manual

Stadium: Teostusjoonised

Designer: V. Ott

Approved by: V. Ott

Page: 16

Pages: 16